

TA Series

CONSTANT TORQUE HINGE



REELLTORQ®

Stocker's TA Series hinge features a conventional door hinge configuration with 270° of bracket rotation. This hinge is designed to provide a smooth feel of quality and consistent torques of 8.05 - 30.00 lb-in (0.91 - 3.39 N-m) are available to meet many of your needs.

Applications

- Office Equipment
- Medical Cabinets
- Computer Peripherals
- Access Panels
- Industrial Enclosures
- Equipment Guards
- Toolboxes
- Store Fixtures

Design Characteristics

● Hinge Functions

The TA Series hinge is designed to provide constant torque throughout its full range of motion. It is ideally suited to applications requiring the ability to hold an object at various positions.

● Environment

The TA Series hinge was designed to have corrosion resistance. Along with reducing the amount of springback, the housing improves the appearance of the hinge and protects the clip/shaft from harsh environments. O-ring seals provide additional internal contamination protection from moisture, detergents and solvents.

● Performance

- Torque tolerance $\pm 20\%$ of nominal
- Springback typically $< 1^\circ$ each direction
- Life of 20,000 cycles at speeds less than 100 rpm
- Ambient temperature range from -30°C (-22°F) to 60°C (140°F)

TA Series

CONSTANT TORQUE HINGE

Torque

8.05; 12.04; 16.02; 20.00; 25.05; 30.00 lb-in
0.91; 1.36; 1.81; 2.26; 2.83; 3.39 N-m

Finishes

Plain, black, white, silver, beige, standard
Custom colors available

Mounting Style

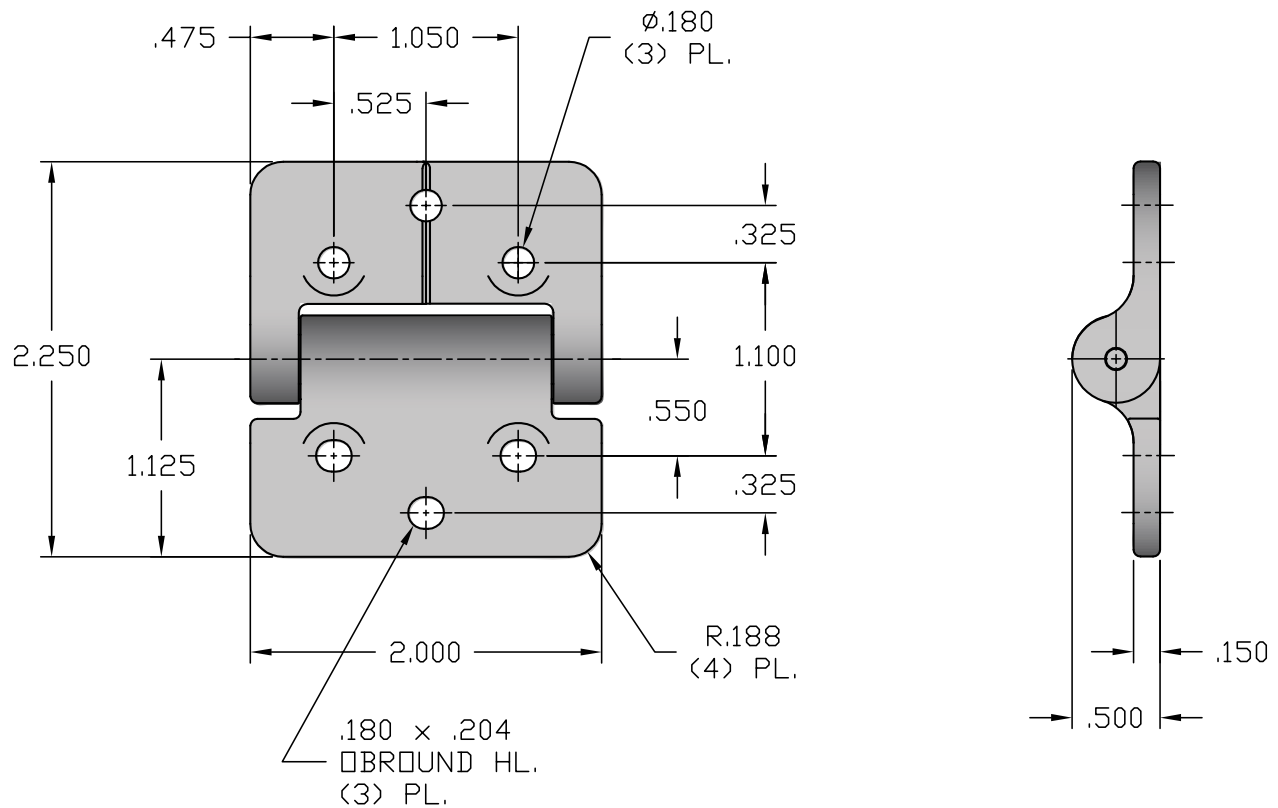
Six hole standard
Four hole optional

Materials

Zinc Die Cast Housings
Hardened Steel Shaft
Hardened Steel Torque Clips
Buna-N O-Rings
Mineral Oil Based Lubricant

Recommended Screw Size

No. 8 screws or equivalent
Holes for up to No. 10 screws
optional (individually drilled out)
(Screws not included)



8822 W. 47th Street
P.O. Box 149
Brookfield, IL 60513

800-631-2600 / 708-485-3400 / FAX 708-485-0058 / www.stocker.com
Bulletin TA0607.R0 Specifications and contents subject to change without notice.

E.R. Wagner
STOCKER HINGES Manufacturing Co.