

TC Series

CONSTANT  
TORQUE  
HINGE



REELLTORQ®

Stocker's TC Series hinge features a conventional door hinge configuration with 270° of bracket rotation. This hinge is designed to provide a smooth feel of quality and consistent torques of 12.39 - 51.34 lb-in (1.40 - 5.80 N-m) are available to meet many of your needs.

**Applications**

- Office Equipment
- Medical Cabinets
- Computer Peripherals
- Access Panels
- Industrial Enclosures
- Equipment Guards
- Toolboxes
- Store Fixtures

**Design Characteristics**

● **Hinge Functions**

The TC Series hinge is designed to provide constant torque throughout its full range of motion. It is ideally suited to applications requiring the ability to hold an object at various positions.

● **Environment**

The TC Series hinge was designed for enclosed environments. Along with reducing the amount of springback, the engineered plastic housing construction improves the appearance of the hinge and protects the clip/shaft from moderate environments.

● **Performance**

- Torque tolerance  $\pm 20\%$  of nominal (1.40 N-m @  $\pm 35\%$ , 1.80 N-m @  $\pm 30\%$ , 2.20 N-m @  $\pm 25\%$ )
- Springback typically  $< 1^\circ$  each direction
- Life of 10,000 cycles at speeds less than 60 rpm
- Ambient temperature range from  $-30^\circ\text{C}$  ( $-22^\circ\text{F}$ ) to  $60^\circ\text{C}$  ( $140^\circ\text{F}$ )

## TC Series

### CONSTANT TORQUE HINGE

#### Torque

12.39; 15.93; 19.47; 23.01; 26.55; 30.09; 33.63;  
37.17; 40.72; 44.26; 47.80; 51.34 lb-in  
1.40; 1.80; 2.20; 2.60; 3.00; 3.40; 3.80;  
4.20; 4.60; 5.00; 5.40; 5.80 N-m

#### Finish

Black

#### Mounting Style

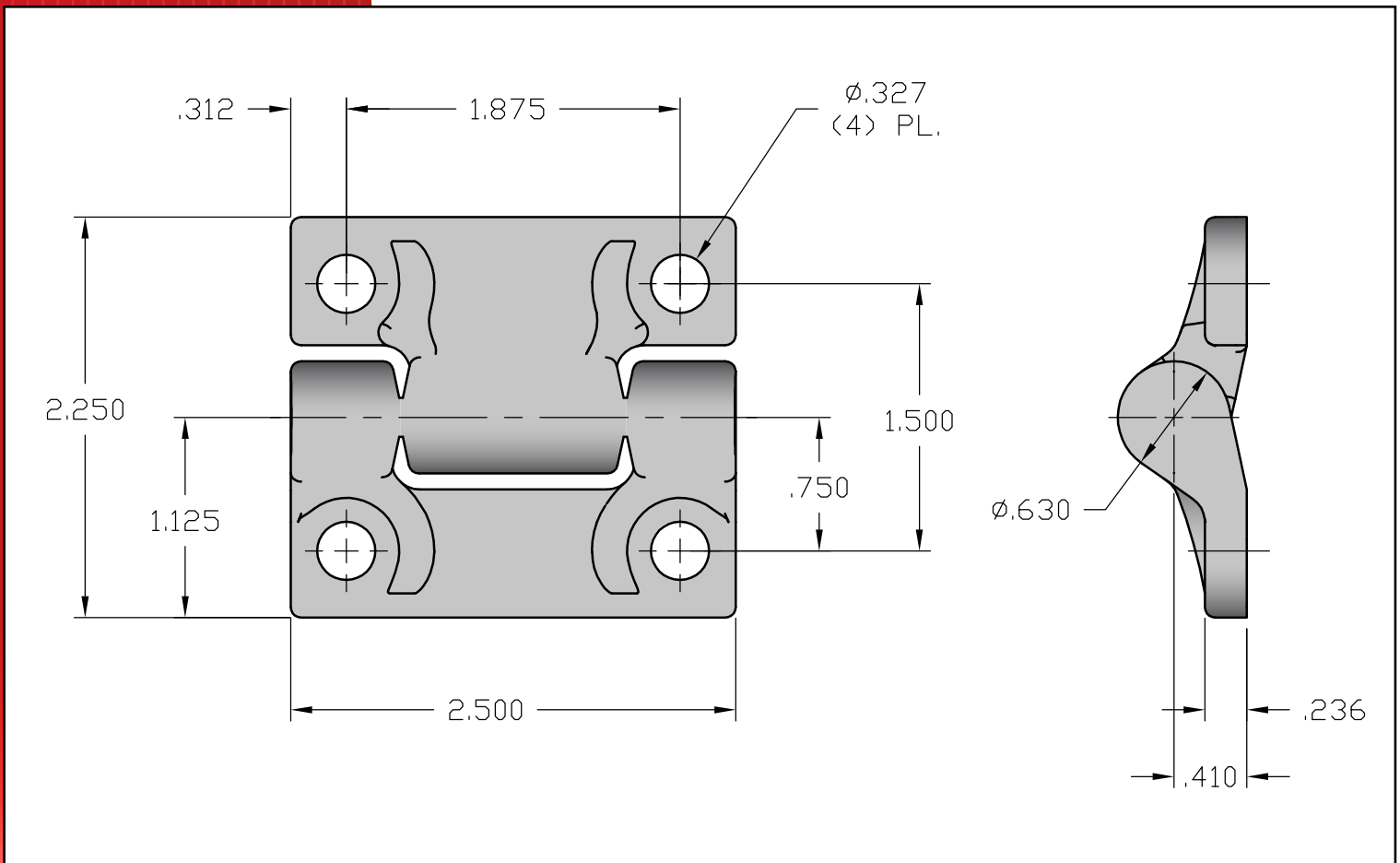
Straight-through holes

#### Materials

Engineered Plastic Housings  
Hardened Steel Shaft  
Hardened Steel Torque Clips  
Mineral Oil Based Lubricant

#### Recommended Screw Size

5/16" Screws or equivalent  
(Screws not included)



8822 W. 47th Street  
P.O. Box 149  
Brookfield, IL 60513

800-631-2600 / 708-485-3400 / FAX 708-485-0058 / [www.stocker.com](http://www.stocker.com)  
Bulletin TC0607.R0 Specifications and contents subject to change without notice.

**E.R. Wagner**  
STOCKER HINGES  
Manufacturing Co.