

TG Series

CONSTANT
TORQUE
INSERT



REELLTORQ®

Stocker's TG Series insert features an engineered plastic housing configuration with 360° rotation. This insert is designed to provide a smooth feel of quality and consistent torques of 1.77 - 10.62 lb-in (0.20 - 1.20 N-m) are available to meet many of your needs.

Applications

- Office Equipment
- Medical Cabinets
- Computer Peripherals
- Access Panels
- Equipment Guards
- Store Fixtures

Design Characteristics

● **Insert Functions**

The TG Series insert is designed to provide constant torque throughout its full range of motion. It is ideally suited to applications requiring the ability to hold an object at various positions.

● **Environment**

The TG Series insert was designed to have corrosion resistance. Along with reducing the amount of springback, the housing improves the appearance of the insert and protects the clip/shaft from harsh environments.

● **Performance**

- Torque tolerance $\pm 20\%$ of nominal (0.20 N-m @ $\pm 45\%$, 0.40 N-m @ $\pm 25\%$)
- Springback typically $< 1^\circ$ each direction
- Life of 10,000 cycles
- Ambient temperature range from -30°C (-22°F) to 60°C (140°F)

TG Series

CONSTANT TORQUE INSERT

Torque

1.77; 3.54; 5.31; 7.08; 8.85; 10.62 lb-in
0.20; 0.40; 0.60; 0.80; 1.00; 1.20 N-m

Finish

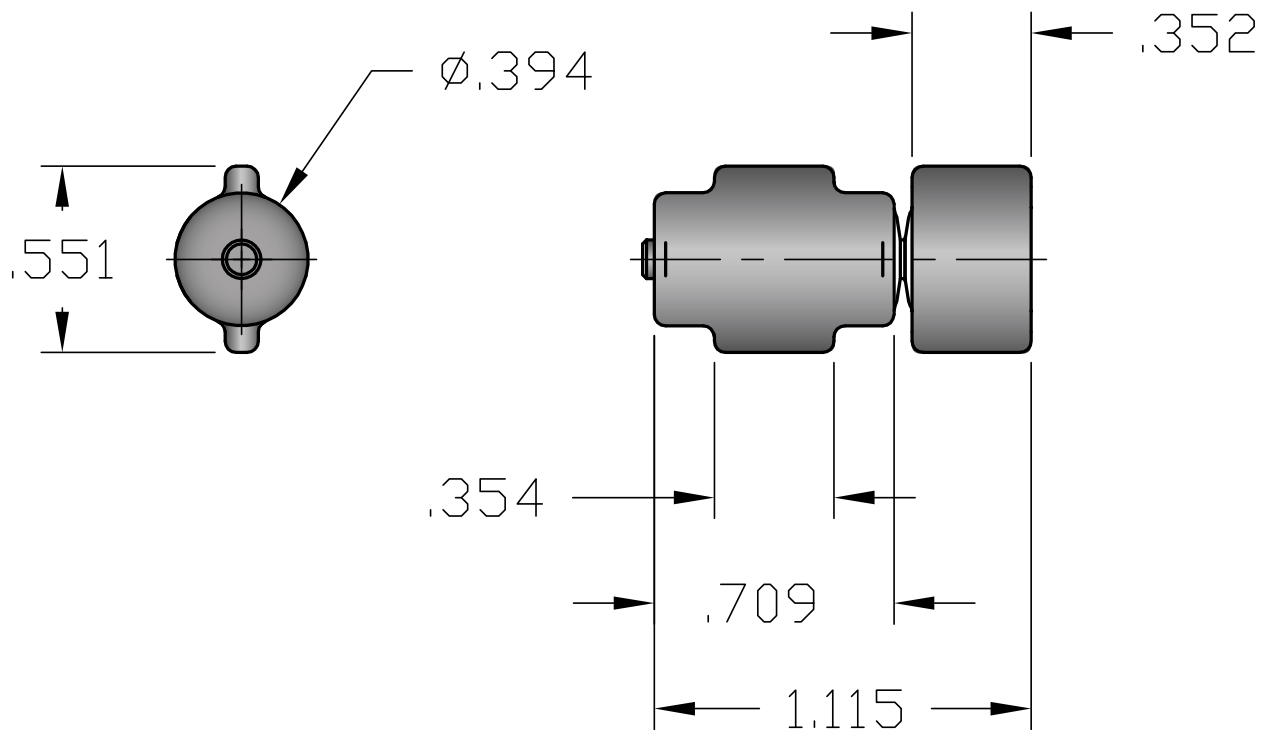
Black

Mounting Style

Press fit (four tabs)
Slip fit (two barrels)

Materials

Engineered Plastic Housings
Hardened Steel Shaft
Hardened Steel Torque Clips
Mineral Oil Based Lubricant



8822 W. 47th Street
P.O. Box 149
Brookfield, IL 60513

800-631-2600 / 708-485-3400 / FAX 708-485-0058 / www.stocker.com
Bulletin TG0607.R0 Specifications and contents subject to change without notice.

E.R. Wagner
STOCKER HINGES Manufacturing Co.