

TK Series

CONSTANT  
TORQUE  
INSERT



REELLTORQ®

Stocker's TK Series insert is designed to be over-molded with plastic to add the feature of constant torque to your product. This insert is designed to provide a smooth feel of quality and consistent torques of 44.26 - 70.81 lb-in (5.00 - 8.00 N-m) are available to meet many of your needs.

**Applications**

- Office Equipment
- Medical Cabinets
- Computer Peripherals
- Access Panels
- Industrial Enclosures
- Equipment Guards
- Store Fixtures

**Design Characteristics**

● **Insert Functions**

The TK Series insert is designed to provide constant torque throughout its full range of motion. It is ideally suited to applications requiring the ability to hold an object at various positions.

● **Performance**

- Torque tolerance  $\pm 10\%$  of nominal in counterclockwise direction (60% of nominal in the clockwise direction  $\pm 10\%$ )
- Springback typically  $< 1^\circ$  each direction
- Life of 10,000 cycles
- Ambient temperature range from  $-30^\circ\text{C}$  ( $-22^\circ\text{F}$ ) to  $60^\circ\text{C}$  ( $140^\circ\text{F}$ )

## TK Series

### CONSTANT TORQUE INSERT

#### Torque

44.26; 53.11; 61.96 70.81 lb-in  
5.00; 6.00; 7.00; 8.00 N-m

#### Finish

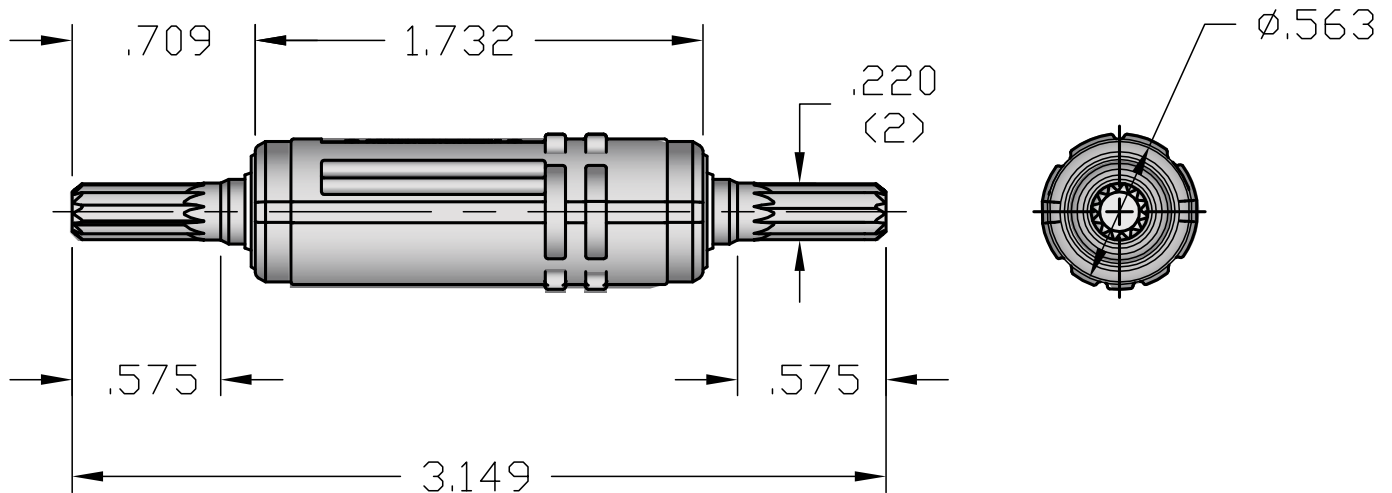
Plain

#### Mounting Style

Designed to be insert molded into  
25-30% glass filled Nylon

#### Materials

Zinc Die Cast Housing  
Hardened Steel Shaft  
Hardened Steel Torque Clips  
Zinc Die Cast Bushings  
Mineral Oil Based Lubricant



8822 W. 47th Street  
P.O. Box 149  
Brookfield, IL 60513

800-631-2600 / 708-485-3400 / FAX 708-485-0058 / [www.stocker.com](http://www.stocker.com)  
Bulletin TK0607.R0 Specifications and contents subject to change without notice.

**E.R. Wagner**  
STOCKER HINGES Manufacturing Co.